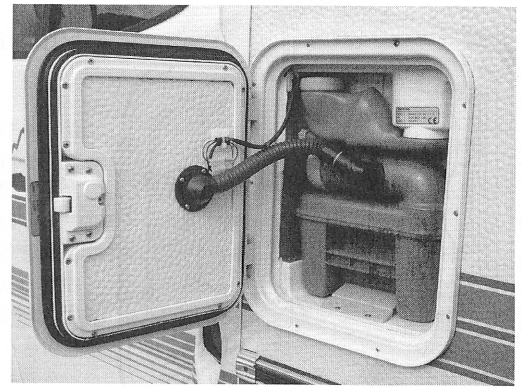
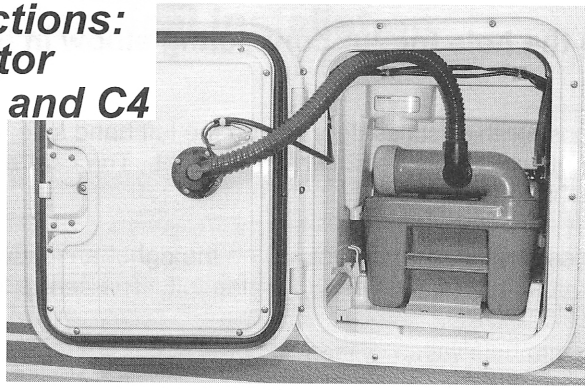


Installation instructions: SOG Toilet ventilator Type A for C2, C3, and C4

Please read completely
before installation

E

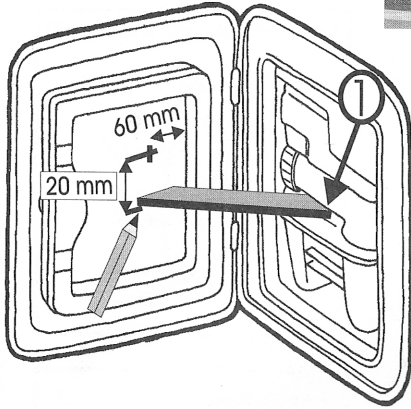


Placement of the ventilator hole

Exact placing is only necessary when the waste holding tank is placed in the service space near the door, as is shown in the drawing, so the access door is able to close correctly (specially with toilets with an additional water tank).

If more room is available, the ventilator can be placed a little higher.

For an exact location place a flat ruler horizontally on the waste holding tank 1 and close the service door so that the ruler touches it and mark the position of the lower side with a pencil. Mark the point 20 mm (3/4") above this point and approximately 60 mm (2 3/8") inside the inside frame of the access door. Bore a hole 36 mm (1.4") to 37 mm (1.46") diameter through the door using a cylindrical borer or milling cutter.



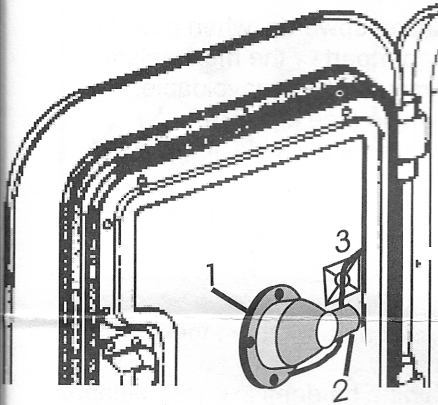
Mounting the ventilator

As smells can leave the service space and enter the vehicle space, careful sealing is important.

Spread silicone paste around the inside of the bored hole. If there are two layers of sheet metal, the space between them must also be sealed against smells.

Mount ventilator, 1, hose connector, 2, must always point towards the door hinge.

Mount the ventilator using the four 3.5x16 mm screws. Mount the 25x25 mm cable bracket, 3, above the ventilator to take up any tension in the cable.

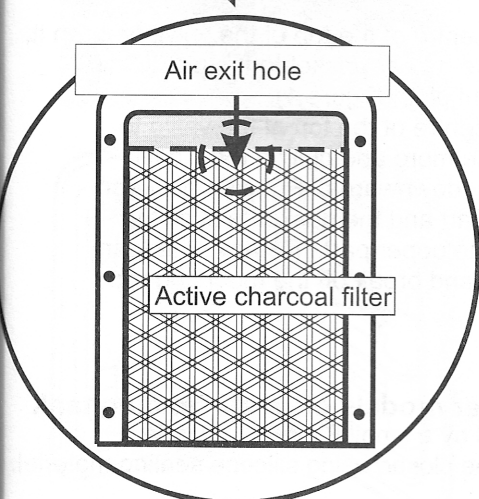
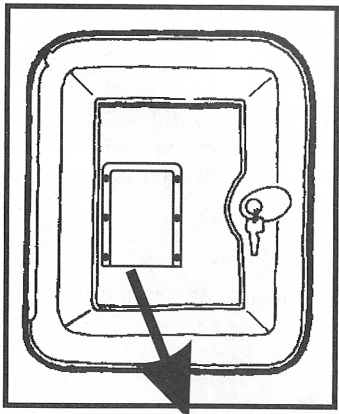


Mounting the filter housing

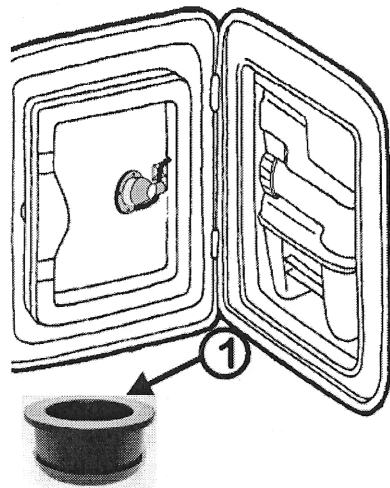
The filter housing must be mounted so that approximately one half of the air exit hole is in the empty part of the filter housing and the other half is covered by the filter mat.

WARNING! The filter mat must not cover the air exit hole completely.

The exit of the filter housing must point downwards. Screw the 3.5x16 VA screws into the aluminium sheet without pilot holes and tighten only hand tight.



The filter should be changed once a year according to use.



Drill hole for hose connection 1 at outlet pipe

If the hinges are on the left service door, the marking must be drawn on the right outlet pipe.

If the hinges are on the right service door, the marking must be drawn on the left outlet pipe.

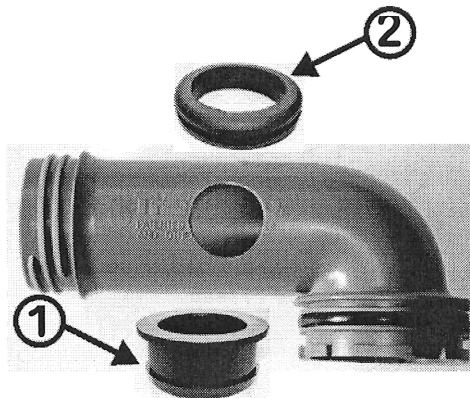
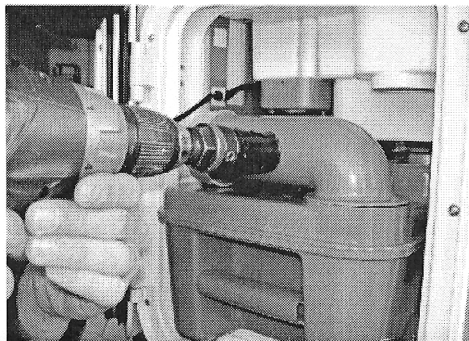
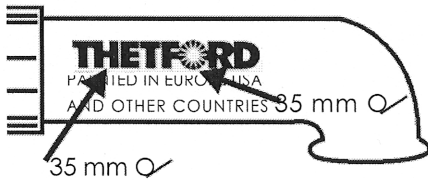
Drill hole with pot drill 35 mm ✓

When attaching on right

-If the drill point is on the outlet pipe just below the O of the lettering THETFORD

When attaching on left

-If the drill point is on the outlet pipe just below the H of the lettering THETFORD



Leave cassette in service compartment and use hole miller to drill 53 mm diameter hole in outlet pipe at point marked.

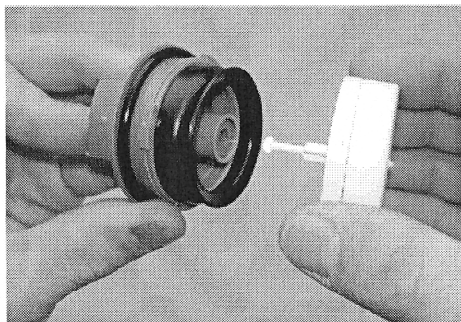
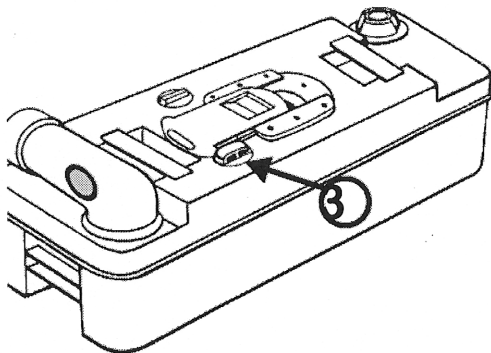
Insert lead-through rubber (2) into the drill hole
Moisten lead-through rubber and insert connecting sleeve (1) into the rubber, pushing in as far as the limit stop

IMPORTANT! Must always be observed

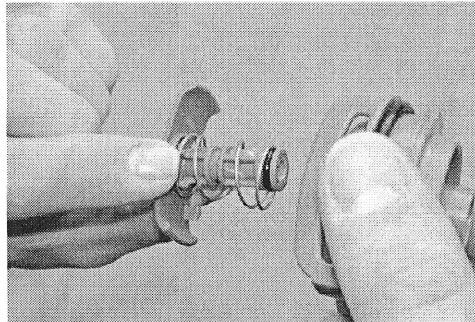
A continually open overpressure valve is located on the fecal tank. This valve is rendered superfluous by the SOG toilet ventilation and must be closed, as otherwise odors occur here during travel, which consequently make their way into the service compartment and hence into the vehicle.

Removing the valve

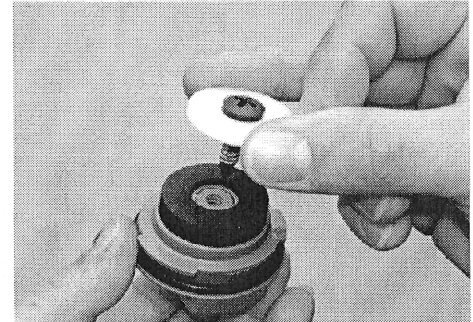
Remove the valve by turning anticlockwise as far as the limit stop - then turning back approx. one millimeter -- while pulling up at the same time.



Press in valve actuator - press float against sealing lip and turn anticlockwise.
Remove float from the valve

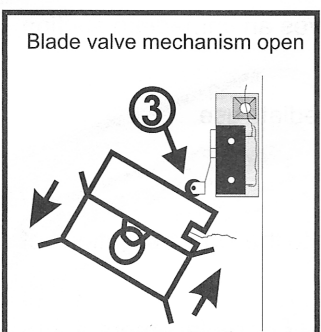
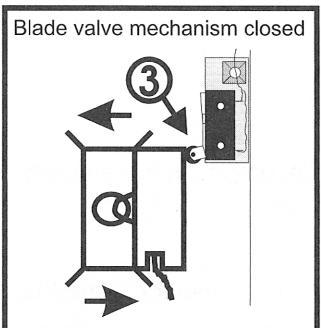
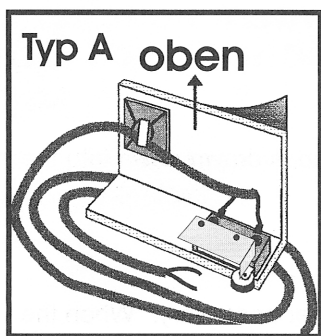


Pull valve actuator out of the valve and remove spiral spring.
Insert valve actuator again and push downwards as far as the limit stop.



Insert rubber disk - screw valve actuator together with plastic screw (see photo). Insert valve in the cassette again

Electrical installation



Mounting the L-shaped aluminium mounting bracket:

Before sticking, clean the mounting surface on the sheet metal wall with methylated spirit. The aluminium L-bracket must be so placed that the roller on the microswitch, 3, is pressed in on the back edge of the closed blade valve mechanism.

NOTE: When the switch is pressed the current is interrupted so that the ventilator only runs when the blade valve is open.

When the correct position has been found only then remove the protective foil, 1, from the adhesive surface of the L-shaped mounting bracket to mount it.

Cable tree

Shorten the cable as necessary and secure using the cable binder and selfadhesive socket in the kit.

Plus and minus cables in the service space are generally brown and blue respectively. (In all cases check the polarity).

Connect the cable with the red vampire connector onto a brown cable and the black cable onto a blue cable.

Functional test - checking the connections

Open the blade valve and the ventilator should run. If it does not run check that the 12 V caravan supply is switched on.

On a number of vehicles the toilet is connected to the water pressure pump—then switch on the water pressure pump.

If the ventilator still does not work, check the polarity as the ventilator has reverse polarity protection and only runs with correct plus and minus connections.

Shortening the exhaust hose

Push the exhaust hose onto the connecting elbow and shorten it, if it is too long.

Toilets with separate fresh water tanks

The exhaust hose must be placed under the swing out filling opening so that the access door can close.

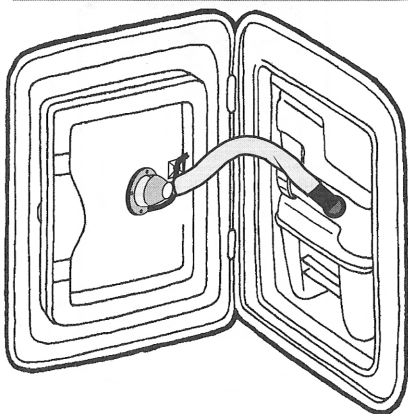
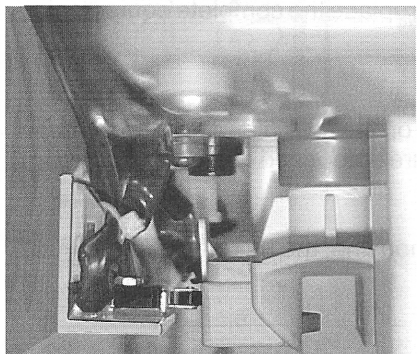
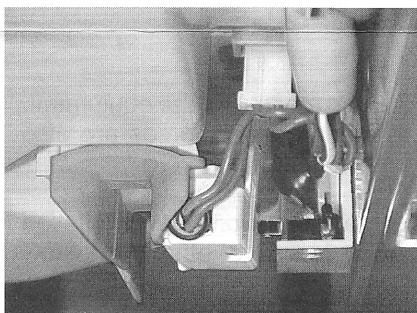
Finally remove the exhaust hose from the connecting elbow, mount it on the ventilator opening by turning it anticlockwise, and replace it on the connecting elbow.

The hose may not be tied to the cable holder or similar fixing points, this may damage the ventilator housing.

Close the access door and check that the hose is cleanly stowed and that there is no syphon effect.

Before emptying remove the hose from the connecting elbow!

If, after a time, the removal of the hose from the elbow becomes difficult, spray the plastic parts and the stopper with silicone spray. This will reduce wear and ease handling.



Functional test of the ventilation system - Mandatory

Open the blade valve and hold a burning incense (joss) stick or cigarette above it. If the smoke is drawn down into the holding tank the ventilation system is working correctly.

Important information

- The ventilator should run only during use with the blade valve open - continuous running is never necessary. When the blade valve is only partly open, the ventilator starts and sucks all smells through the waste holding tank preventing them from rising.

To promote decomposition and avoid smells do not use chemicals or other additives.
Never use vinegar. This can destroy the blade valve seals and cause smells.

Use commonly available toilet paper (for example recycled) as special paper for chemical toilets decomposes more slowly with oxygen.

The waste holding tank no longer needs to be emptied every day, at least every five days.

Emptying is just as before except that the exhaust hose must be removed from the SOG ventilation connector. Use the stopper provided to close the elbow and this can be stored in a depression in the tank.

The power consumption is small, 0.43 watt. The high running speed is achieved quickly and gives an immediate suction effect when the blade valve is opened.

A second SOG ventilation connector can be mounted on a replacement waste holding tank for immediate use.

GUARANTEE CONDITIONS

As manufacturer we guarantee this equipment for two years from the date of purchase in addition to the legal obligations of the seller.

Within the guarantee time we will set right faults caused by bad material or manufacture by repair or replacement at our choice.

Excluded are:

Damage caused by misuse, normal wear and tear, and matters which only slightly restrict the use or value of the equipment. Damage caused by improper connection or installation, Acts of God, force majeure, and other external forces are also excluded.

Damage caused by improper use, for example continuous running of the ventilator, and deviation from the installation instructions. The guarantee is void if repairs are carried out by unauthorised workshops or by use of other than SOG replacement parts.

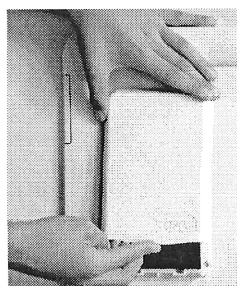
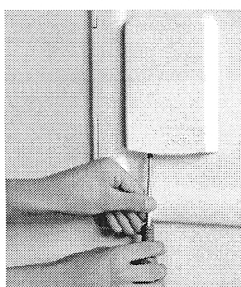
We reserve the right in the case of guarantee claims, to repair or replace defective parts or replace the complete equipment.

Replaced parts become our property.

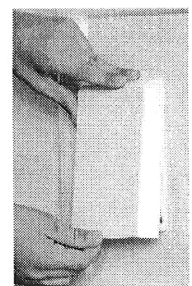
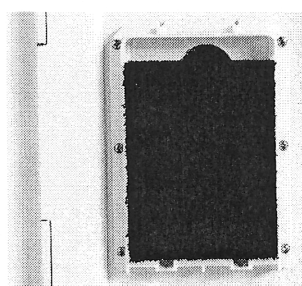
There are no further rights under this guarantee. The guarantee starts only when the date on the receipt bearing the address of the seller is validated by his signature. This guarantee is valid in countries where there are authorised dealers.

In the case of a claim under guarantee, give the defective part, ventilator complete in its housing, the 90 degree connecting elbow, or other part to an authorised dealer or send it directly to our address.

Change the filter once a year



If you want to change a second cassette, then you can carry the full cassette in the storage space for several days (There is no longer any gas formation if the cassette is full)



Completely unscrew the 2 cross-head screws at the bottom.